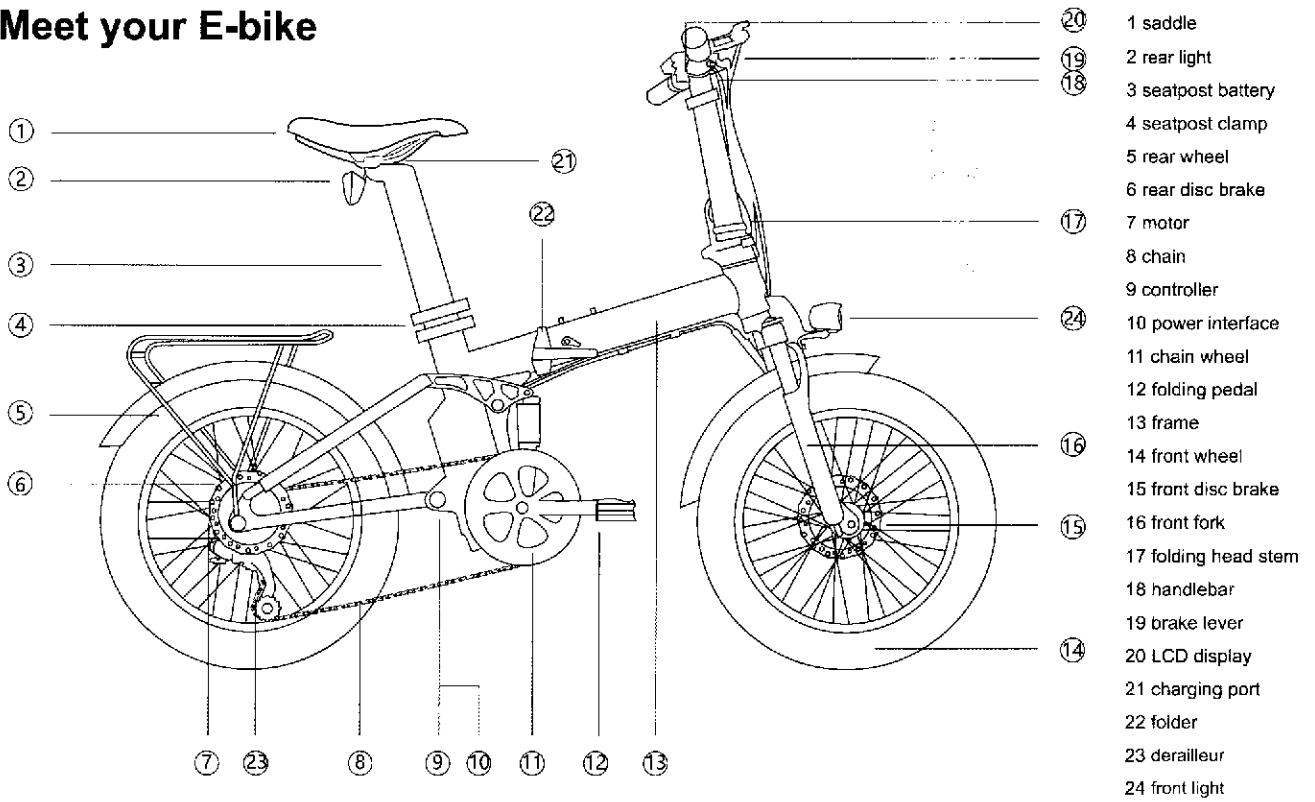


# Meet your E-bike



## Parameters

Product name: Ebike

Model name: Q-MAX

Size: 1630\*640\*1150mm

Folded size: 880\*480\*750mm

Wheel base: 1100mm

Net weight: 26kg

Max. load: 90kg

Max. speed: 25km/h

Charging time: 8 Hrs

Battery type: Lithium-ion

Battery capacity: 36V 14Ah

Noise : ≤ 62 dB(A)

Motor : 250W DC motor

Rated output power: 250W

Motor efficiency: ≥80%

Rated RPM: 265±10r/min

Rated voltage: 36V

Max torque: 40N.m

Overcurrent protection: 15±1A

Low-voltage protection: 30±1V

Kwh: ≤1.2Kw.h

Modes: 5 levels+cruise

Tire diameter: 20 inch

Frame: 20 inch 6061 Al-Alloy foldable

Brakes: 160mm disc brakes

Tire: CST 20" x 2.4

Chain wheel: Prowheel 52T

Free wheel: Shimano 7 speed

Front hub: Sigma Al-Alloy

Chain: KMC

Display: Kunteng LCD

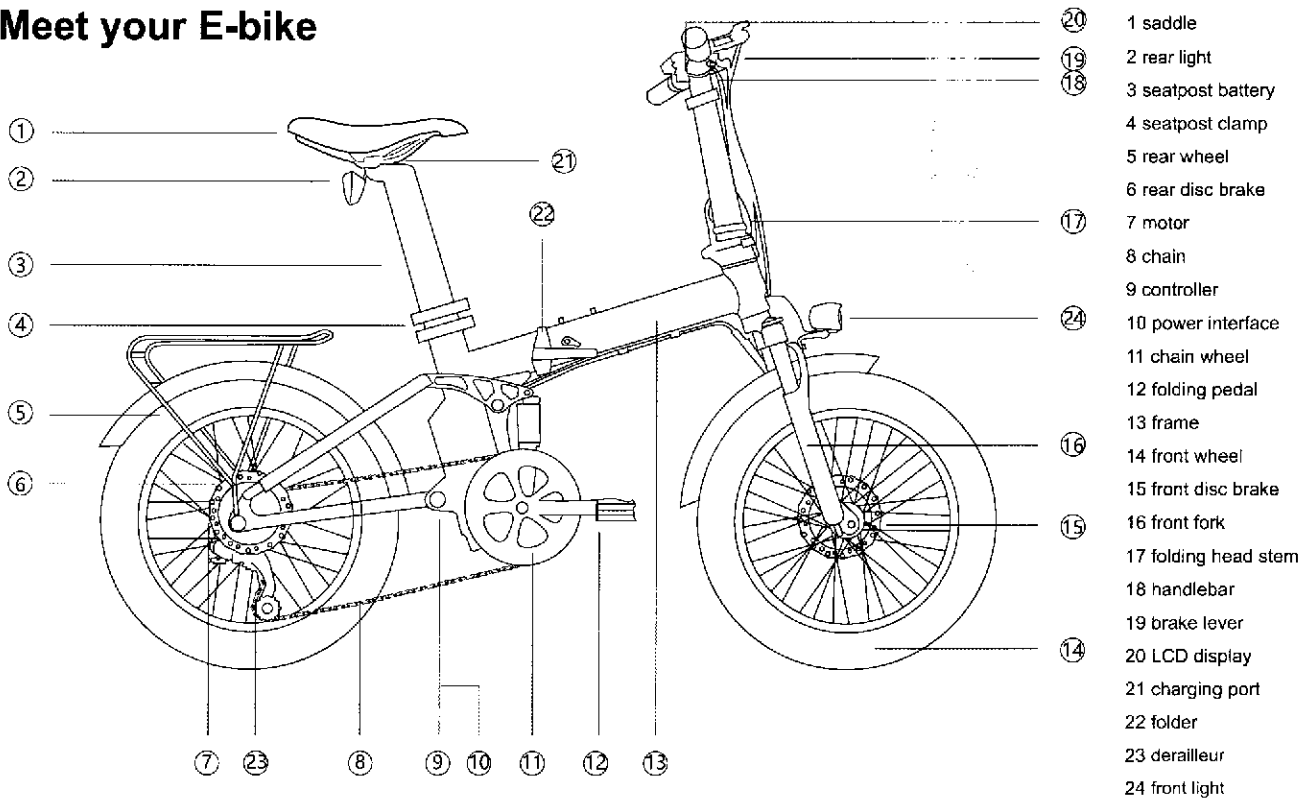
Controller: Kunteng sine wave FOC

Brake levers: Al-Alloy e-bike lever

Saddle: KNUS

Pedals: Foldable pedals

# Meet your E-bike



## Parameters

Product name: Ebike

Model name: Q-MAX

Size: 1630\*640\*1150mm

Folded size: 880\*480\*750mm

Wheel base: 1100mm

Net weight: 26kg

Max. load: 90kg

Max. speed: 25km/h

Charging time: 8 Hrs

Battery type: Lithium-ion

Battery capacity: 36V 14Ah

Noise : ≤ 62 dB(A)

Motor : 250W DC motor

Rated output power: 250W

Motor efficiency: ≥80%

Rated RPM: 265±10r/min

Rated voltage: 36V

Max torque: 40N.m

Overcurrent protection: 15±1A

Low-voltage protection: 30±1V

Kwh: ≤1.2Kw.h

Modes: 5 levels+cruise

Tire diameter: 20 inch

Frame: 20 inch 6061 Al-Alloy foldable

Brakes: 160mm disc brakes

Tire: CST 20" x 2.4

Chain wheel: Prowheel 52T

Free wheel: Shimano 7 speed

Front hub: Sigma Al-Alloy

Chain: KMC

Display: Kunteng LCD

Controller: Kunteng sine wave FOC

Brake levers: Al-Alloy e-bike lever

Saddle: KNUSS

Pedals: Foldable pedals