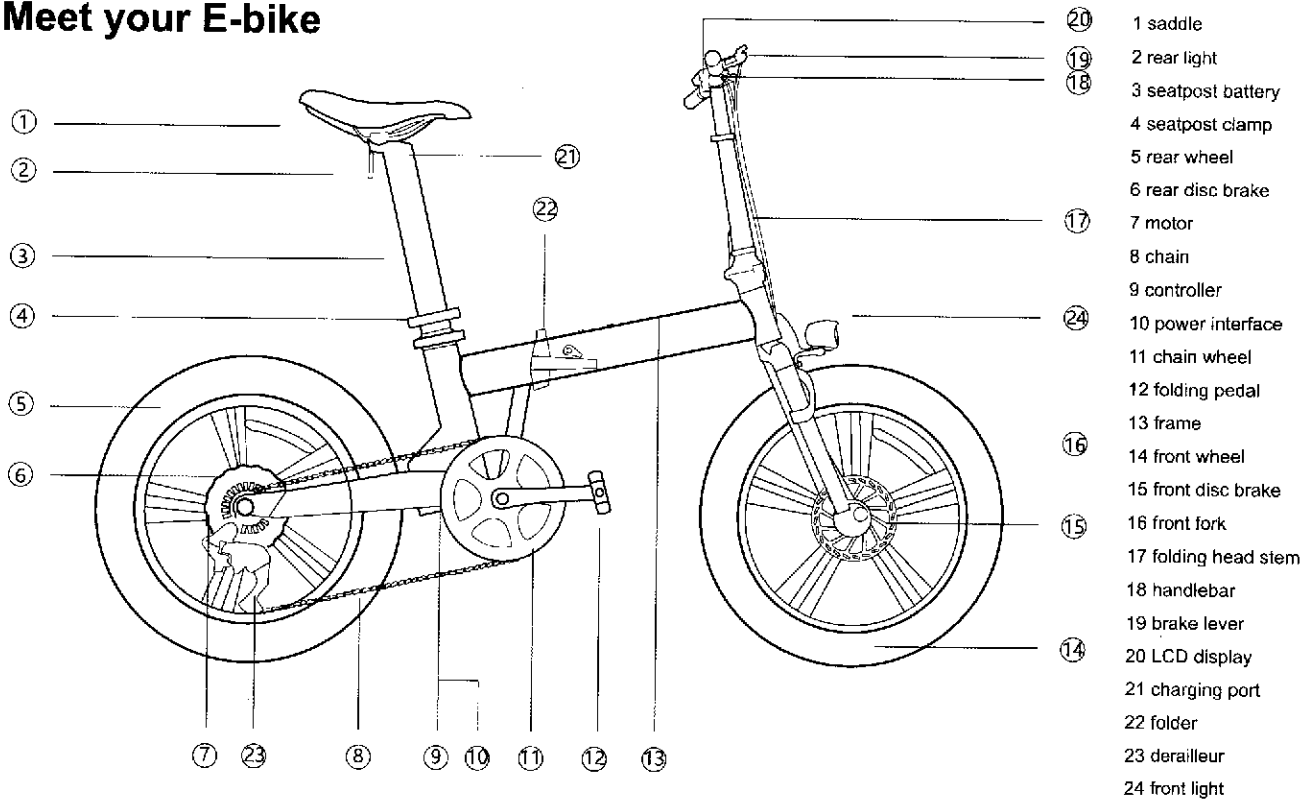


Meet your E-bike

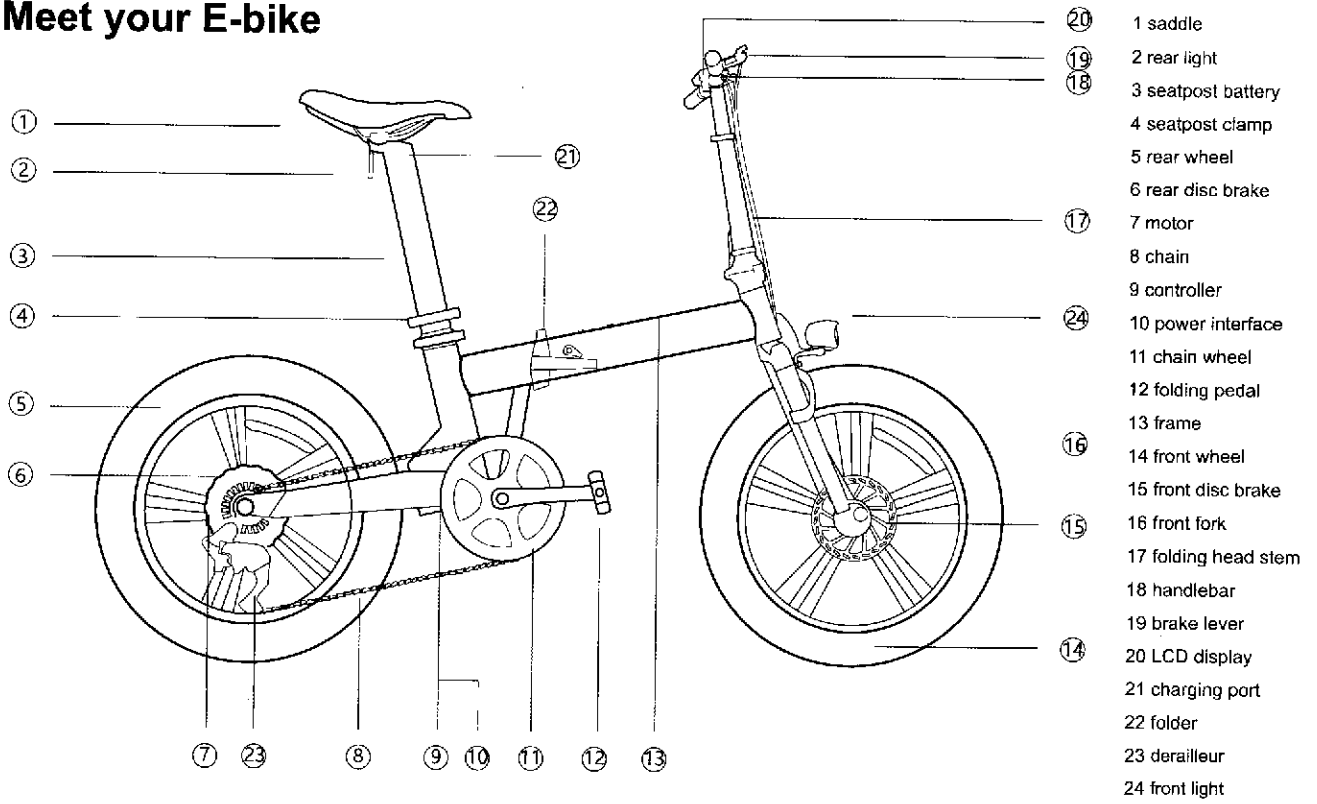


- 20 1 saddle
- 19 2 rear light
- 18 3 seatpost battery
- 4 seatpost clamp
- 5 rear wheel
- 6 rear disc brake
- 17 7 motor
- 8 chain
- 9 controller
- 24 10 power interface
- 11 chain wheel
- 12 folding pedal
- 13 frame
- 16 14 front wheel
- 15 front disc brake
- 16 front fork
- 17 folding head stem
- 18 handlebar
- 19 brake lever
- 20 LCD display
- 21 charging port
- 22 folder
- 23 derailleur
- 24 front light

Parameters

Product name: Ebike	Motor: MXUS 250W brushless geared DC motor	Brakes: 160mm disc brakes
Size: 1660 x 660 x 1280 mm	Motor efficiency: $\geq 78\%$	Rim: 20 inch Al-Alloy
Folded size: 890 x 540 x 850 mm	Rated RPM: 230 ± 10 r/min	Tire: CST 20" x 4.0
Wheel base: 1100mm	Rated voltage: 36V	Chain wheel: Prowheel 52T
Net weight: 31.5kg	Max torque: 40N.m	Free wheel: Shimano 14-28T
Range: Up to 80km	Overcurrent protection: 15 ± 1 A	Derailleur: Shimano 7 speed
Max. load: 100kg	Low-voltage protection: 30 ± 1 V	Chain: KMC
Max. speed: 25km/h	Kwh: ≤ 1.2 Kw.h	Handle bar: Promax
Charging time: Approx. 7 Hrs	iPAS Modes: 5 levels	Display: Kunteng LCD
Battery type: LG Lithium-ion	Tire diameter: 20 inch	Controller: Kunteng sine wave FOC
Battery capacity: 36V 20Ah	Frame: 20 inch 6061 Al-Alloy (foldable)	Brake : Nutt Hydraulic Brakes
Noise: ≤ 62 dB(A)	Front fork: Suspension Fork	Saddle: KNUS
		Pedal: Foldable

Meet your E-bike



Parameters

Product name: Ebike

Size: 1660 x 660 x 1280 mm

Folded size: 890 x 540 x 850 mm

Wheel base: 1100mm

Net weight: 31.5kg

Range: Up to 80km

Max. load: 100kg

Max. speed: 25km/h

Charging time: Approx. 7 Hrs

Battery type: LG Lithium-ion

Battery capacity: 36V 20Ah

Noise: ≤ 62 dB(A)

Motor: MXUS 250W brushless geared DC motor

Motor efficiency: ≥78%

Rated RPM: 230±10r/min

Rated voltage: 36V

Max torque: 40N.m

Overcurrent protection: 15±1A

Low-voltage protection: 30±1V

Kwh: ≤1.2Kw.h

iPAS Modes: 5 levels

Tire diameter: 20 inch

Frame: 20 inch 6061 Al-Alloy (foldable)

Front fork: Suspension Fork

Brakes: 160mm disc brakes

Rim: 20 inch Al-Alloy

Tire: CST 20" x 4.0

Chain wheel: Prowheel 52T

Free wheel: Shimano 14-28T

Derailleur: Shimano 7 speed

Chain: KMC

Handle bar: Promax

Display: Kunteng LCD

Controller: Kunteng sine wave FOC

Brake: Nutt Hydraulic Brakes

Saddle: KNUS

Pedal: Foldable